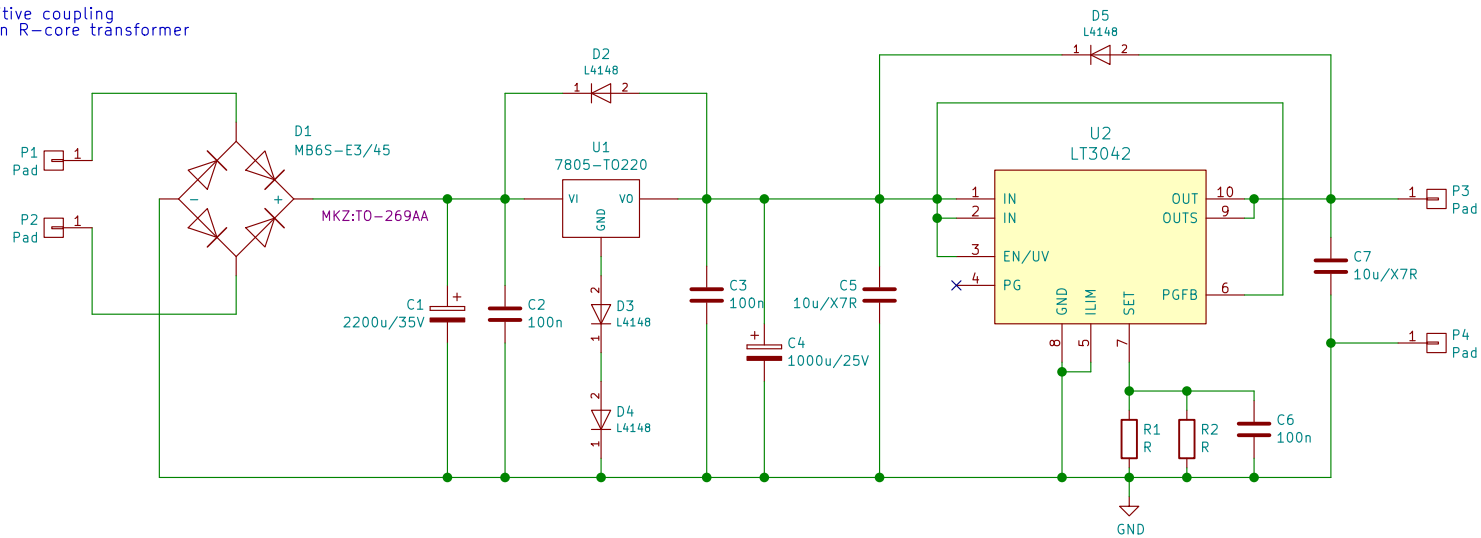


For ultra low capacitive coupling
to the mains, use an R-core transformer



www.zeilhofer.co.at

Mechatronik Karl Zeilhofer

Sheet: /

File: Rauscharmes-Netzteil-5V.sch

Title: Ultra Low Noise Power Supply

Size: A4 Date: 2016-02-11

Rev: V0.1

KiCad E.D.A. kicad 0.201601061458+642740ubuntu14.04.1-stable

Id: 1/1