

www.zeilhofer.co.at

Mechatronik Karl Zeilhofer

Sheet: /

File: quad-delta-sigma-board.sch

Title: Quad Delta-Sigma Board

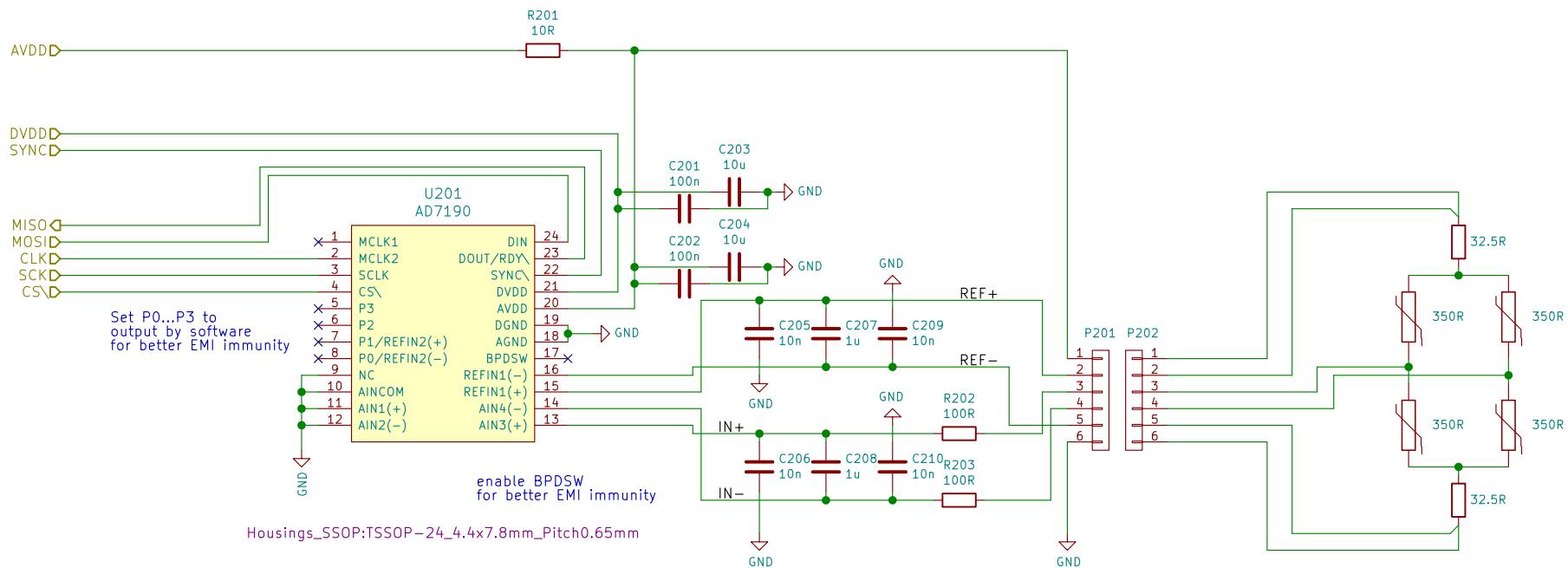
Size: A4

Date: 2016-02-22

Rev: **V1.0**

KiCad E.D.A. kicad 0.201601061458+642740ubuntu14.04.1-stable

Id: 1/5



Set P0...P3 to output by software for better EMI immunity

enable BPDSW for better EMI immunity

Housings_SSOP:TSSOP-24_4.4x7.8mm_Pitch0.65mm

Registers for the ADC-config. for 400S/s:

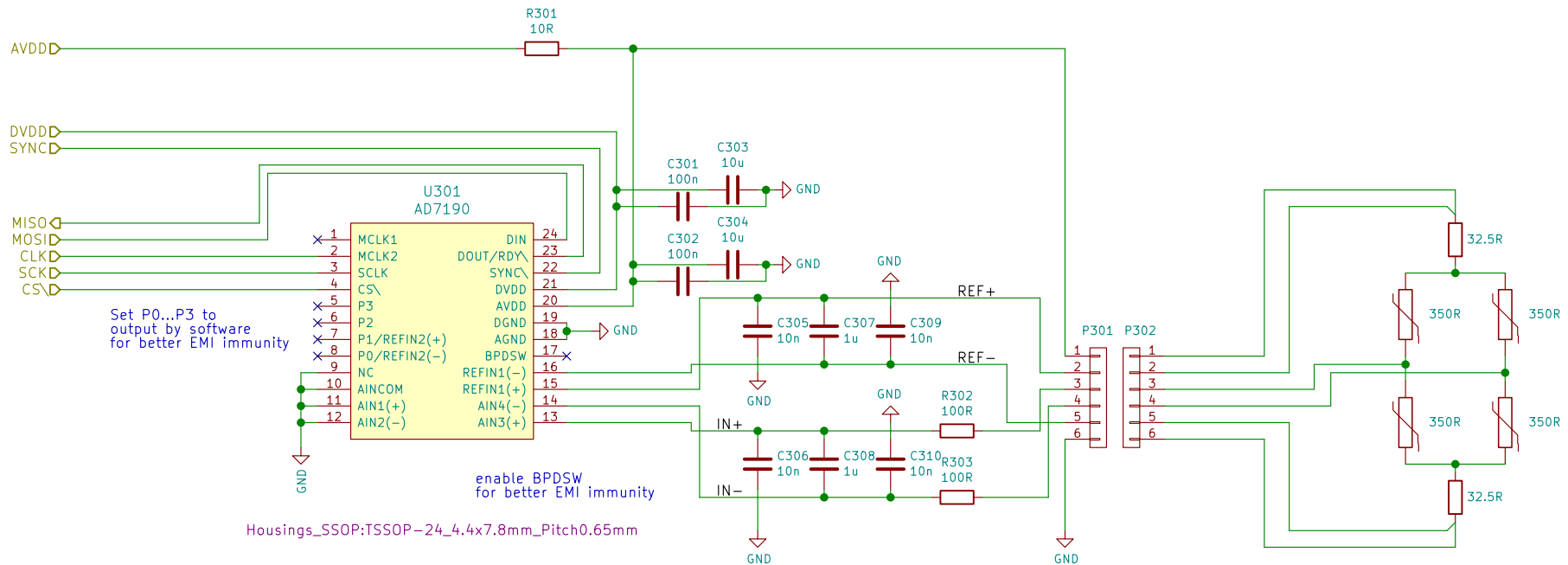
Mode-Reg: 0x040003
 Config-Reg: 0x800217
 GPO-Config-Reg: 0x70

- + channel: Ch3-Ch4
- + gain 128
- + bipolar
- + buffers on
- + chopping on
- + current off
- + Ref-Input 1
- + Ref-detect off
- + continuous conversion
- + FS bits: 3
- + 60Hz rejection off
- + sinc-4 filter
- + zero latency: off
- + use external clock: 4.9152MHz
- + enable all 4 digital I/Os
- + enable BPDSW
- + output: data only, no parity
- > 400 S/s

www.zeilhofer.co.at
Mechatronik Karl Zeilhofer
 Sheet: /ADC-Ch0/
 File: adc.sch

Title: Quad Delta-Sigma Board

Size: A4	Date: 2016-02-22	Rev: V1.0
KiCad E.D.A. kicad 0.201601061458+642740ubuntu14.04.1-stable		Id: 2/5



Housings_SSOP:TSSOP-24_4.4x7.8mm_Pitch0.65mm

Registers for the ADC-config. for 400S/s:

Mode-Reg: 0x040003
 Config-Reg: 0x800217
 GPO-Config-Reg: 0x70

- + channel: Ch3-Ch4
- + gain 128
- + bipolar
- + buffers on
- + chopping on
- + current off
- + Ref-Input 1
- + Ref-detect off
- + continuous conversion
- + FS bits: 3
- + 60Hz rejection off
- + sinc-4 filter
- + zero latency: off
- + use external clock: 4.9152MHz
- + enable all 4 digital I/Os
- + enable BPDSW
- + output: data only, no parity
- > 400 S/s

www.zeilhofer.co.at

Mechatronik Karl Zeilhofer

Sheet: /ADC-Ch1/

File: adc.sch

Title: Quad Delta-Sigma Board

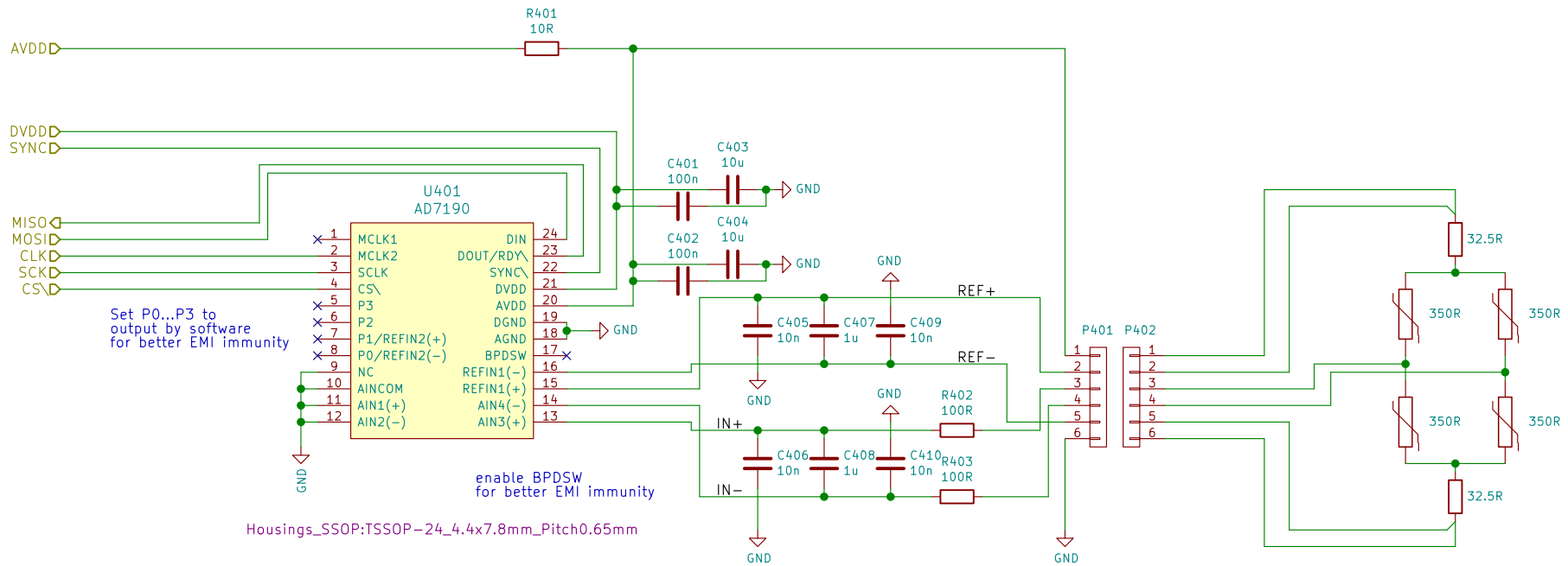
Size: A4

Date: 2016-02-22

Rev: V1.0

KiCad E.D.A. kicad 0.201601061458+642740ubuntu14.04.1-stable

Id: 3/5



Set P0...P3 to output by software for better EMI immunity

enable BPDSW for better EMI immunity

Housings_SSOP:TSSOP-24_4.4x7.8mm_Pitch0.65mm

Registers for the ADC-config. for 400S/s:

Mode-Reg: 0x040003
 Config-Reg: 0x800217
 GPO-Config-Reg: 0x70

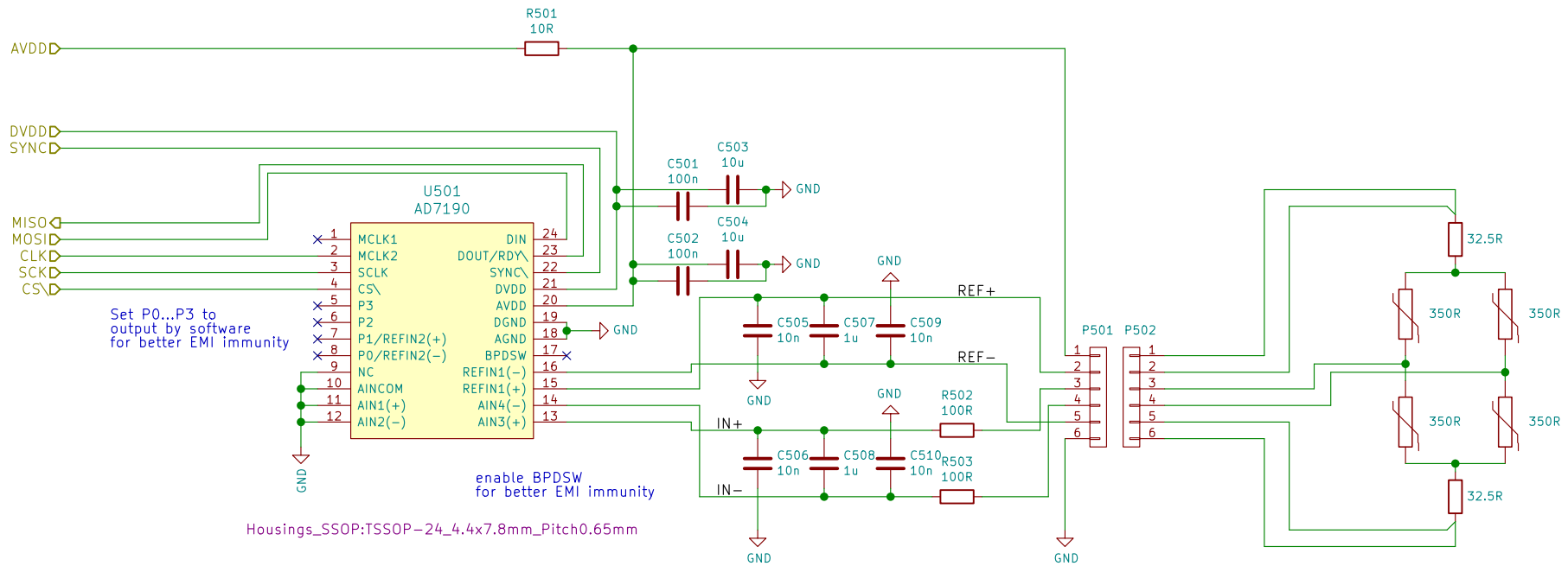
- + channel: Ch3-Ch4
- + gain 128
- + bipolar
- + buffers on
- + chopping on
- + current off
- + Ref-Input 1
- + Ref-detect off
- + continuous conversion
- + FS bits: 3
- + 60Hz rejection off
- + sinc-4 filter
- + zero latency: off
- + use external clock: 4.9152MHz
- + enable all 4 digital I/Os
- + enable BPDSW
- + output: data only, no parity
- > 400 S/s

www.zeilhofer.co.at
Mechatronik Karl Zeilhofer

Sheet: /ADC-Ch2/
 File: adc.sch

Title: Quad Delta-Sigma Board

Size: A4	Date: 2016-02-22	Rev: V1.0
KiCad E.D.A. kicad 0.201601061458+642740ubuntu14.04.1-stable		Id: 4/5



Registers for the ADC-config. for 400S/s:

Mode-Reg: 0x040003
 Config-Reg: 0x800217
 GPO-Config-Reg: 0x70

- + channel: Ch3-Ch4
- + gain 128
- + bipolar
- + buffers on
- + chopping on
- + current off
- + Ref-Input 1
- + Ref-detect off
- + continuous conversion
- + FS bits: 3
- + 60Hz rejection off
- + sinc-4 filter
- + zero latency: off
- + use external clock: 4.9152MHz
- + enable all 4 digital I/Os
- + enable BPDSW
- + output: data only, no parity
- > 400 S/s

www.zeilhofer.co.at

Mechatronik Karl Zeilhofer

Sheet: /ADC-Ch3/

File: adc.sch

Title: Quad Delta-Sigma Board

Size: A4

Date: 2016-02-22

Rev: V1.0

KiCad E.D.A. kicad 0.201601061458+642740ubuntu14.04.1-stable

Id: 5/5